



Concealed wall-mounted mixer variable positioning -

35 720 970 90



- red brass, lead-free
- 1/2" connection
- 3x sealing plug 1/2"
- 3x dust cover

Recommended miscellaneous

Leak protection 1/2" -

12 010 970 90

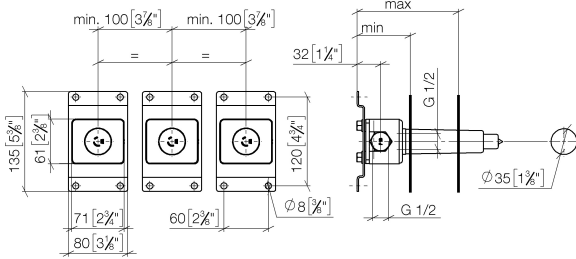
- This article is needed 2x.



Concealed wall-mounted mixer variable positioning -

35 720 970 90

mm [inches]



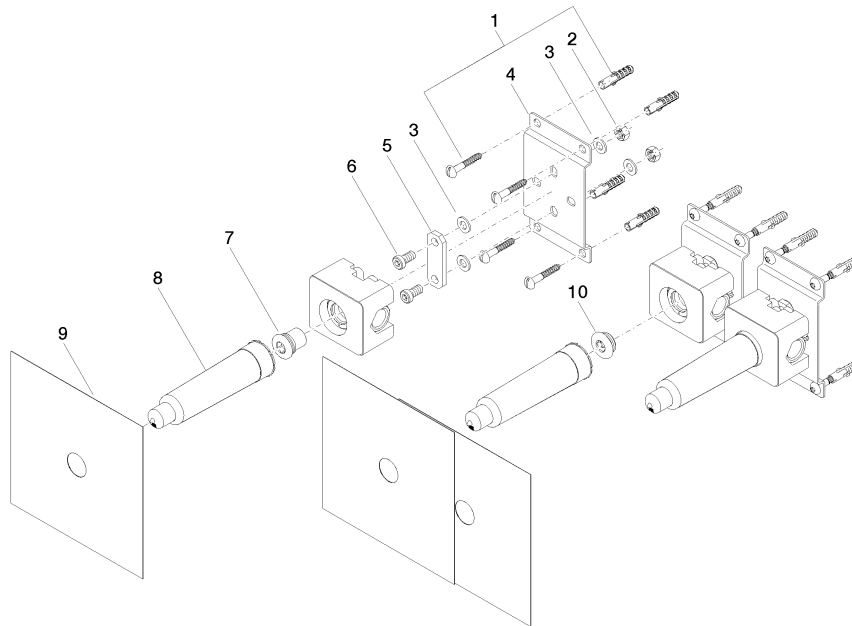
| | | min. | max. |
|-----------------|---------|----------------|----------------|
| 36xxx361-FF | Madison | 85 mm[3 3/8"] | 145 mm[5 5/8"] |
| 36xxx809/819-FF | Vaia | 85 mm[3 3/8"] | 145 mm[5 5/8"] |
| 36xxx882/892-FF | Tara | 85 mm[3 3/8"] | 145 mm[5 5/8"] |
| 36xxx811-FF | CYO | 85 mm[3 3/8"] | 145 mm[5 5/8"] |
| 36xxx705-FF | CL.1 | 110 mm[4 3/8"] | 150 mm[5 7/8"] |
| 36xxx782-FF | MEM | 110 mm[4 3/8"] | 150 mm[5 7/8"] |

Certificates

WRAS_2211003.

Concealed wall-mounted mixer variable positioning -

35 720 970 90



Spare parts list

| No. | Item Number | Name | Quantity used | Delivery time |
|-----|--------------------|------------|---------------|---------------|
| 1 | 04 30 31 024 01 90 | fixing set | 6 | 2 |
| 2 | 09 23 10 023 90 | nut | 6 | 2 |
| 3 | 09 30 11 139 90 | disc | 12 | 2 |
| 4 | 09 17 20 104 90 | holder | 3 | 2 |
| 5 | 09 30 11 137 90 | disc | 3 | 60 |
| 6 | 09 30 30 068 90 | screw | 6 | 2 |
| 7 | 04 31 20 037 00 90 | plug | 1 | 2 |
| 8 | 04 21 02 173 01 90 | cap | 3 | 2 |
| 9 | 04 14 03 072 01 90 | gasket kit | 3 | 2 |
| 10 | 04 31 20 006 00 90 | plug | 2 | 2 |